

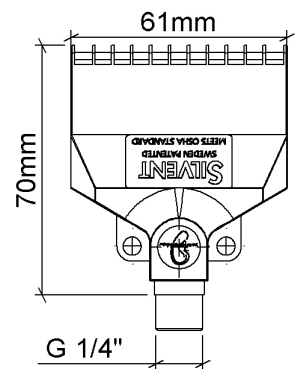
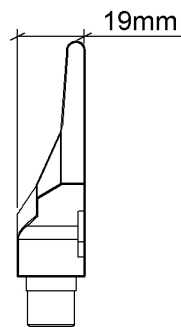
AIR NOZZLE SILVENT 973

Item number: 09730139194, 09730239194

SILVENT 973: extra-broad flat nozzle of stainless steel. Meets virtually every demand industry places upon a modern air nozzle. The design of the nozzle creates an air stream with a broader striking surface - clearly an advantage when wide objects must be dried, sorted or cleaned. Capable of withstanding high ambient temperatures and corrosive chemical environments, as well as satisfying the hygienic requirements of the food processing industry.

Technical data

Replace open pipe Ø (mm)	7
Blowing force (N)	9.5
Air consumption (Nm ³ /h)	58
Sound level (dB(A))	86
Nozzle technology	Slot
Material (nozzle)	1.4404 (316L)
Connection	G 1/4"
Connection type	Male
Weight (kg)	0.1180
Max temp (°C)	400
Max op. pressure (MPa)	1.0



Benefits when replacing an open pipe

Replace open pipe Ø (mm)	7	
Noise reduction	19 [dB(A)]	73%
Energy savings	34 [Nm ³ /h]	37%

Material specification: EN 1.4404

Blowing properties at different pressures

Pressure (kPa)	200	400	600	800	1000
Blowing force (N)	4.0	7.9	11.5	15.2	18.9
Air consumption (Nm ³ /h)	29.2	49.0	67.9	87.2	106.5
Sound level (dB(A))	76.7	84.0	87.6	90.5	92.6

Blowing coverage

Blowing dist. (mm)	Blowing coverage (mm)
50	100
100	120
200	160
300	200
400	240
500	280